

FL40-450BL12

NEOMOUNTS TV POLE MOUNT

SPECIFICATIONS

GENERAL

| | |
|-------------------|--------------------|
| Min. screen size* | 23 inch |
| Max. screen size* | 42 inch |
| Min. weight | 0 kg (per screen) |
| Max. weight | 25 kg (per screen) |
| Screens | 1 |
| VESA minimum | 75x75 mm |
| VESA maximum | 200x200 mm |
| Distance to wall | 7,6-32,2 cm |

FUNCTIONALITY

| | |
|------------------|---|
| Type | Tilt Rotate Swivel Full motion |
| Depth adjustment | 7,6-32,2 cm |
| Tilt (degrees) | +10°, -15° |
| Swivel (degrees) | 180° |
| Height | 22,6 cm |
| Width | 22,6 cm |
| Depth | 41,4 cm |

INFORMATION

| | |
|---------------|---------------|
| Color | Black |
| Main material | Steel |
| Warranty | 5 year |
| EAN code | 8717371449025 |

*Please note: The inch sizes stated are just an indication, combined with the weight and VESA sizes. The maximum weight and VESA size are absolute restrictions for the products and should not be exceeded.



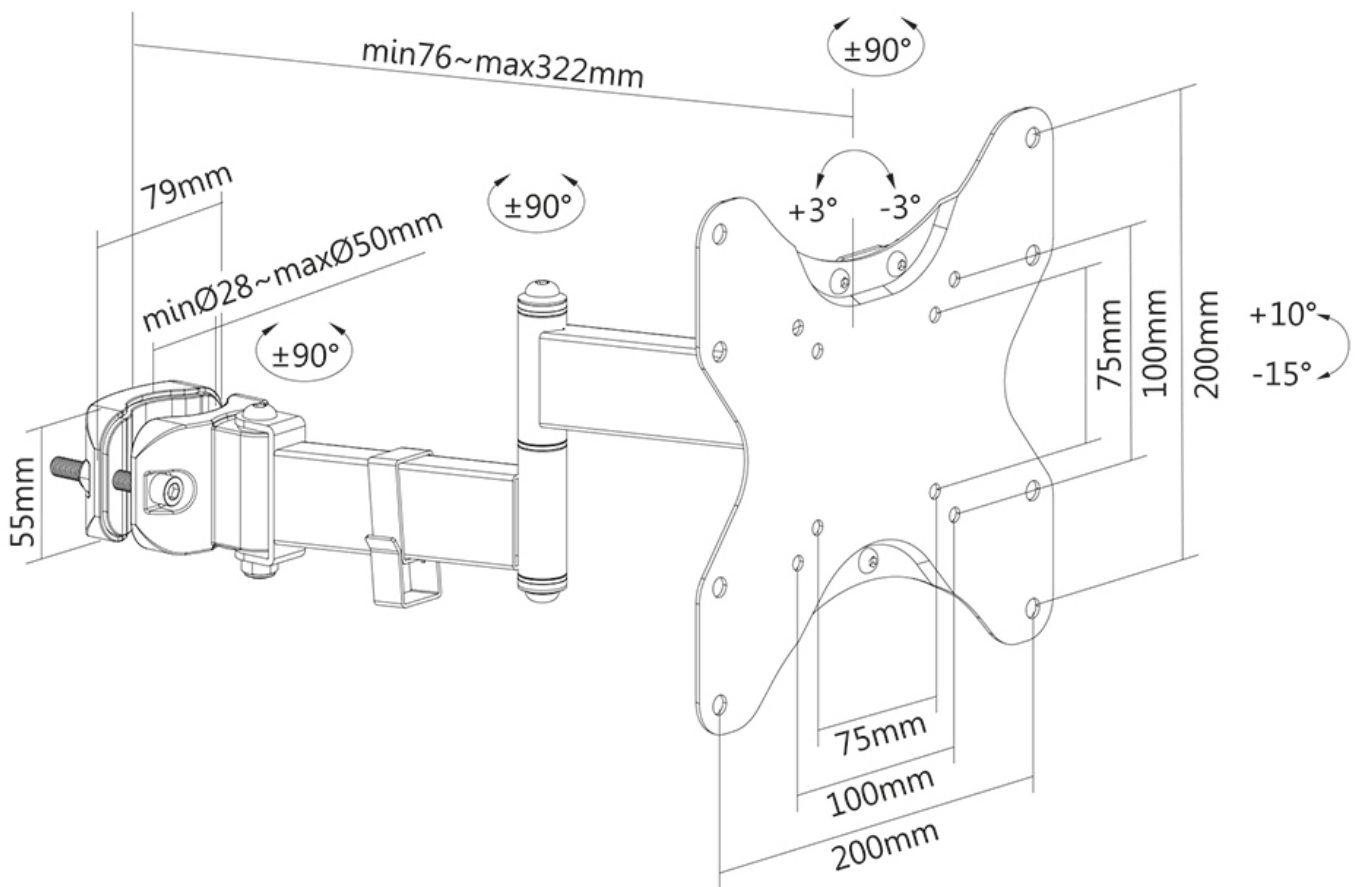
Neomounts FL40-450BL12 full motion TV pole mount (Ø28-50 mm) for 23-42" screens - Black

The Neomounts FL40-450BL12 is a full motion pole mount for flat screens up to 42" with a maximum weight capacity of 25 kg. The versatile tilt (25°) and swivel (180°) technology allows you to create the optimum viewing angle. The mount can be levelled for the perfect installation.

The FL40-450BL12 has a depth of 7,6-32,2 cm and is suitable for screens that meet VESA hole pattern 75x75 to 200x200 mm. The mount is equipped with a cable management system to secure and route any loose cables.

FL40-450BL12

NEOMOUNTS TV POLE MOUNT



Neomounts