

## FPMA-C200D

## NEOMOUNTS MONITOR CEILING MOUNT

### SPECIFICATIONS

#### GENERAL

Min. screen size*	10 inch
Max. screen size*	40 inch
Min. weight	0 kg (per screen)
Max. weight	10 kg (per screen)
Screens	2
VESA minimum	75x75 mm
VESA maximum	200x200 mm

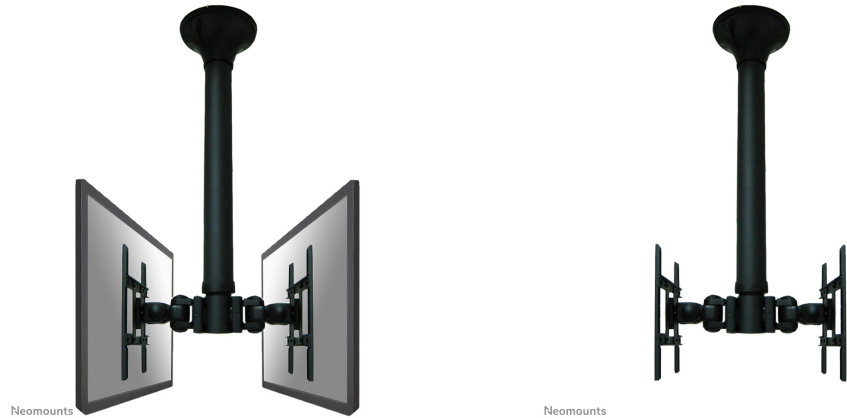
#### FUNCTIONALITY

Type	Tilt Rotate Swivel Full motion
Height adjustment	64-104 cm
Tilt (degrees)	180°
Swivel (degrees)	180°
Rotate (degrees)	360°
Adjustment type	Manual

#### INFORMATION

Color	Black
Main material	Steel
Warranty	5 year
EAN code	8717371441852

\*Please note: The inch sizes stated are just an indication, combined with the weight and VESA sizes. The maximum weight and VESA size are absolute restrictions for the products and should not be exceeded.



### Neomounts TV/Monitor Ceiling Mount for Dual 10"-40" Screens (Back to Back), Height Adjustable - Black

The Neomounts ceiling mount, model FPMA-C200D is a dual-sided tilt- and swivel ceiling mount for flat screens up to 40". This mount is a great choice for space saving placement or when wall mounting and floor placement is not an option.

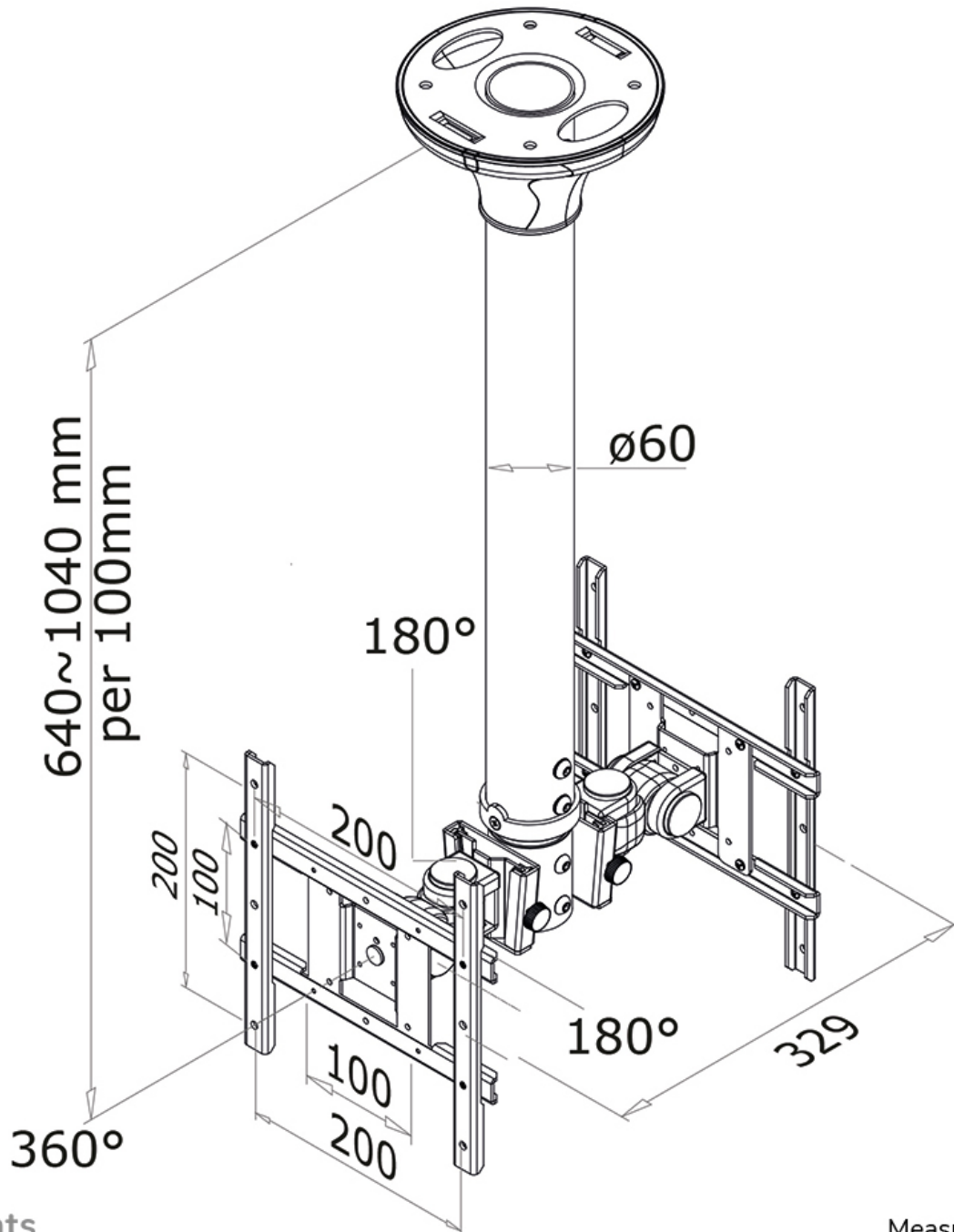
Neomounts versatile tilt (180°), rotate (360°) and swivel (180°) technology allows the mount to change to any viewing angle to fully benefit from the capabilities of the flat screen. The support is easily height adjustable from 64 to 104 centimetres. An innovative cable management conceals and routes cables from ceiling to TV. Hide your cables in the column to keep it nice and tidy.

Neomounts FPMA-C200D has two pivot points and is suitable for screens up to 40" (102 cm). The weight capacity of this product is 10 kg (2x). The ceiling mount is suitable for screens that meet VESA hole pattern 75x75 to 200x200mm. Different hole patterns can be covered using Neomounts VESA adapter plates.

All installation material is included with the product.

FPMA-C200D

NEOMOUNTS MONITOR CEILING MOUNT



Neomounts

Measuring unit: mm