

NMPRO-S22

NEOMOUNTS PRO VIDEO WALL FLOOR STAND

SPECIFICATIONS

GENERAL

Min. screen size*	42 inch
Max. screen size*	55 inch
Min. weight	0 kg (per screen)
Max. weight	30 kg (per screen)
Screens	4
VESA minimum	100x100 mm
VESA maximum	600x400 mm

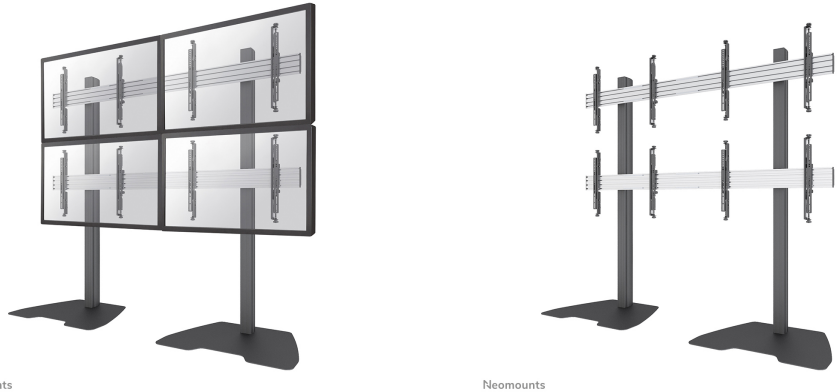
FUNCTIONALITY

Type	Fixed
Height adjustment	181 cm
Width adjustment	197 cm
Depth adjustment	61 cm
Adjustment type	Manual

INFORMATION

Color	Black
Main material	Steel
Warranty	5 year
EAN code	8717371447670

*Please note: The inch sizes stated are just an indication, combined with the weight and VESA sizes. The maximum weight and VESA size are absolute restrictions for the products and should not be exceeded.



Neomounts Pro Videowall Floor Stand for 32-55"/65" screen - Black

The Neomounts Pro videowall floor stand, model NMPRO-S22 is a floor stand for flat screens up to 55"/65". Get optimal positioning for both standing and seated audiences, in any application, in any part of your location.

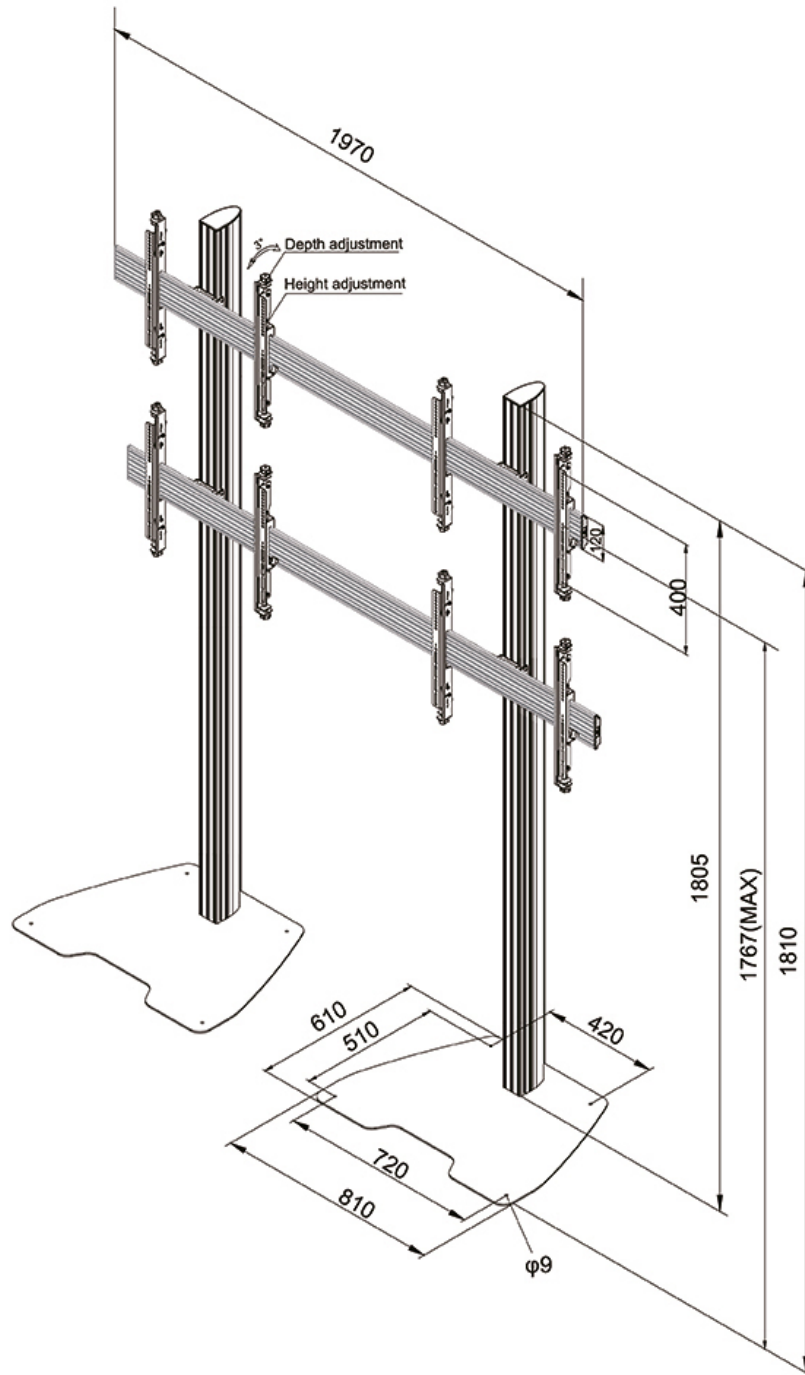
Neomounts Pro NMPRO-S22 is suitable for four screens up to 55"/65". The weight capacity of this product is 30 kg per screen. The stand is suitable for screens that meet VESA 100x100 to 400x400mm (65") or VESA 100x100 to 600x400mm (55"). An innovative cable management conceals and routes cables from mount to flat screen.

The Neomounts Pro NMPRO M-series is a great choice for space saving placement or when wall-, ceiling mounting or desk placement is not an option.

* All installation material is included with the product.

NMPRO-S22

NEOMOUNTS PRO VIDEO WALL FLOOR STAND



Neomounts

Measuring unit: mm