

THINCLIENT-10

SPECIFICATIONS

GENERAL

Min. weight	0 kg (per screen)
Max. weight	10 kg (per screen)
VESA minimum	50x50 mm
VESA maximum	100x100 mm

FUNCTIONALITY

Type	Fixed
Height adjustment	13,8 cm
Width adjustment	5,2-10 cm
Adjustment type	None

INFORMATION

Color	Silver
Main material	Steel
Warranty	5 year
EAN code	8717371443276

*Please note: The inch sizes stated are just an indication, combined with the weight and VESA sizes. The maximum weight and VESA size are absolute restrictions for the products and should not be exceeded.

NEOMOUNTS THIN CLIENT HOLDER



Neomounts Thin Client Holder (attach between monitor and pole) - Silver

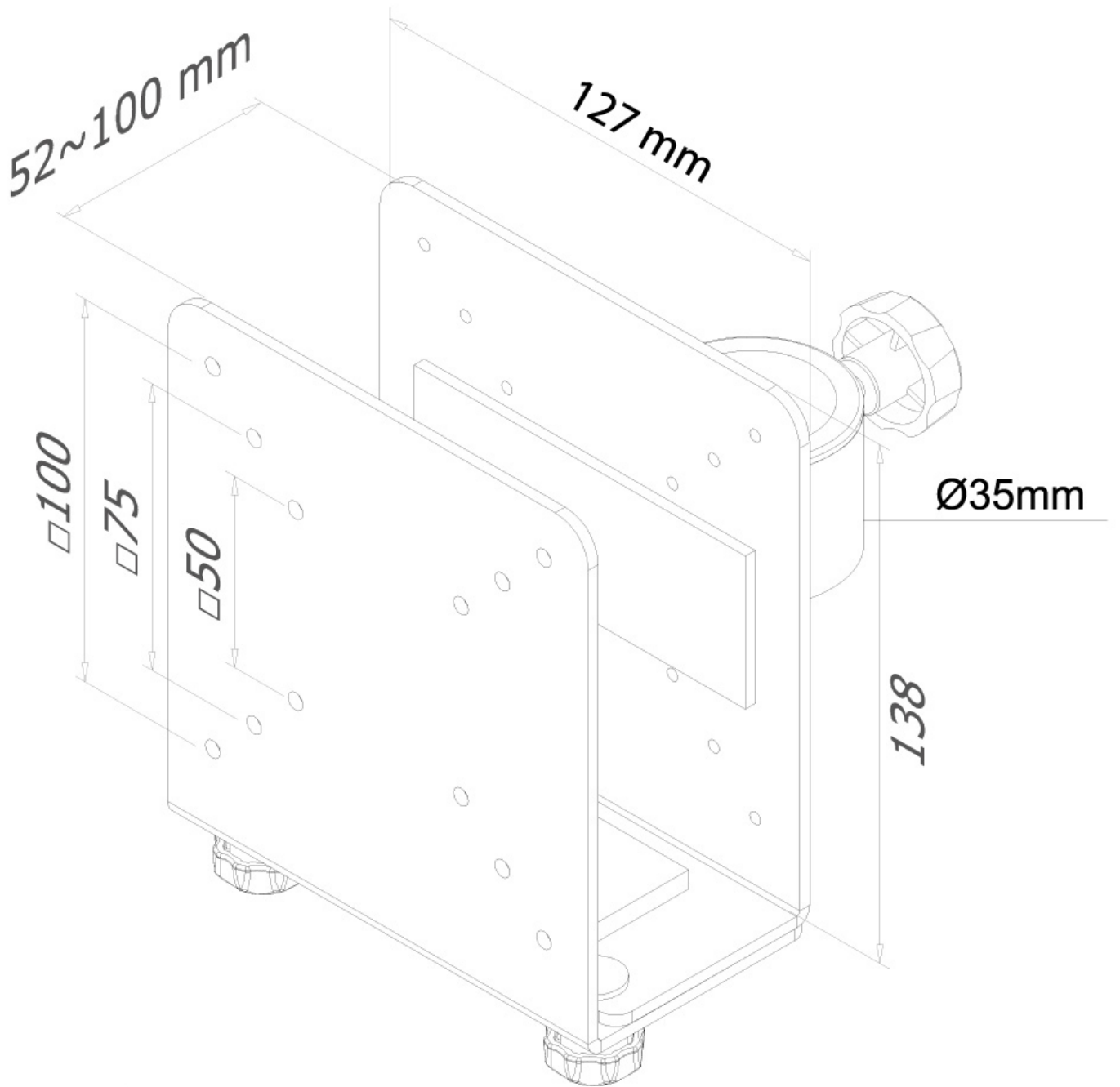
With the Neomounts THINCLIENT-10, a thin client can easily be installed on a monitor arm, creating more workspace. It also protects the thin client from dust, dirt and/or theft.

The holder is adjustable in depth, making it suitable for most thin client models. See the line drawing for the exact dimensions of the holder.

The THINCLIENT-10 can be combined with the following specific Neomounts monitor arms: FPMA-D935, FPMA-D935G, FPMA-D935D, FPMA-D935D4, FPMA-D960, FPMA-D960D, FPMA-D965 and the FPMA-D1330 series. In addition, the holder is suitable for supports with a Ø 35 mm rod.

THINCLIENT-10

NEOMOUNTS THIN CLIENT HOLDER



Neomounts

Measuring unit: mm