

WL90-325BL1

NEOMOUNTS WALL MOUNTED SIT-STAND

SPECIFICATIONS

GENERAL

Min. screen size*	17 inch
Max. screen size*	32 inch
Min. weight	1 kg (per screen)
Max. weight	9 kg (per screen)
Max. weight curved/ultra-wide	6 kg (per screen)
Screens	1
VESA minimum	75x75
VESA maximum	100x100
Distance to wall	15,4-41,6 cm

FUNCTIONALITY

Type	Full motion
Height adjustment	44-95 cm
Width adjustment	52,4 cm
Depth adjustment	6,8-37,4 cm
Tilt (degrees)	+35°, -35°
Swivel (degrees)	+90°, -90°
Rotate (degrees)	+180°, -180°
Height	94 cm
Width	65,4 cm
Depth	73 cm
Adjustment type	Gas spring

INFORMATION

Color	Black
Main material	Steel
Warranty	5 year
EAN code	8717371443702

*Please note: The inch sizes stated are just an indication, combined with the weight and VESA sizes. The maximum weight and VESA size are absolute restrictions for the products and should not be exceeded.



Neomounts WL90-325BL1 height adjustable wall mounted workstation for 17-32" screens, keyboard and mouse - Black

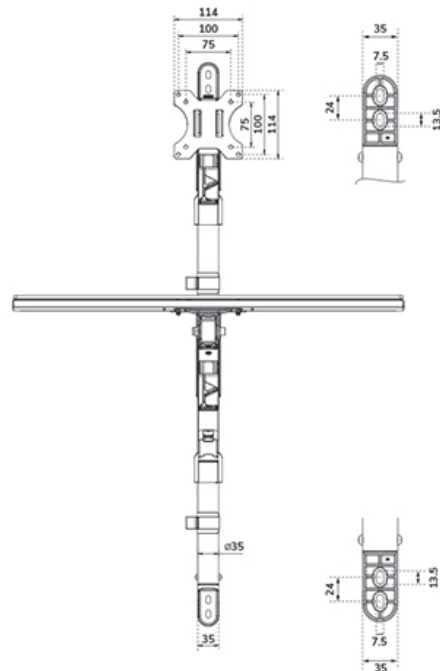
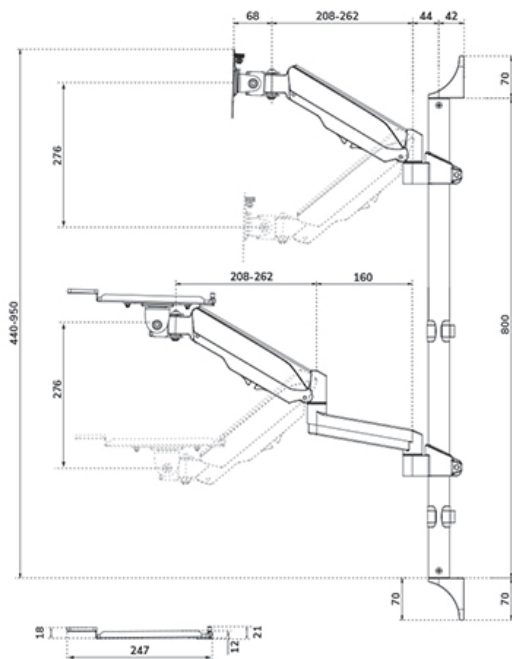
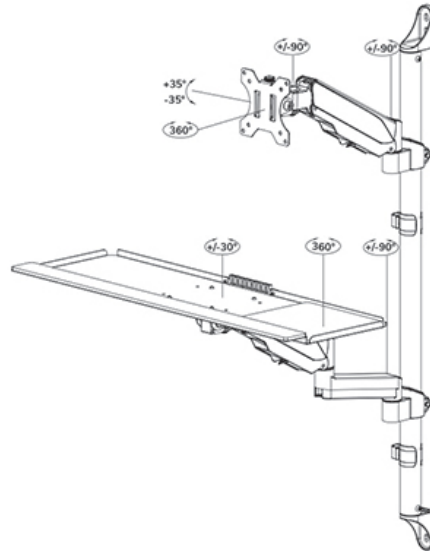
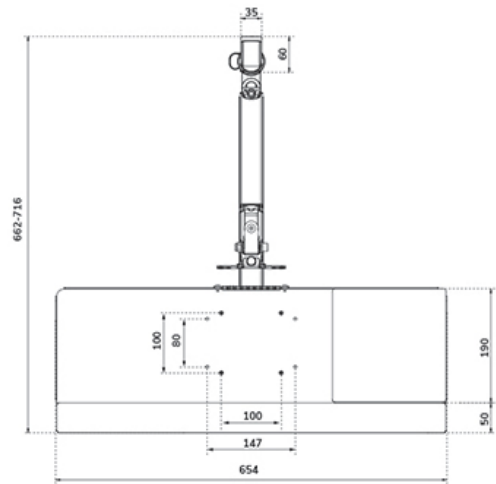
The Neomounts WL90-325BL1 is a full motion height adjustable wall mounted workstation for screens up to 32", keyboard and mouse. The mount can support screens up to 9 kg (curved: 6 kg), while the keyboard tray can support max. 1 kg. The versatile tilt (70°), rotate (360°) and swivel (180°) technology allows the monitor arm to change to any viewing angle to fully benefit from the capabilities of the screen. The keyboard tray includes a wrist support and mouse pad for optimum comfort.

The wall mounted workstation has a large height adjustment range of 44-95 cm. To ensure quick repositioning and the most optimal working position, the WL90-325BL1 features gas spring height adjustment for both the monitor arm and keyboard tray arm. The smart cable management system ensures a secure routing of the cables.

The WL90-325BL1 is suitable for screens that are compatible with VESA hole pattern 75x75 or 100x100 mm and is equipped with a Quick-release VESA system for fast and easy installation. For non-standard hole patterns, Neomounts has various VESA optional adapter plates available.

WL90-325BL1

NEOMOUNTS WALL MOUNTED SIT-STAND



Neomounts

Measuring unit: mm